

# VPK Aseptic Sampling Valve



The VPK sampling valves are designed to take samples aseptically, thanks to their configuration they can be sterilized with pure steam by SIP process or washed by CIP process, to create a protective barrier on the diaphragm and on the valve's chamber, with the valve in closed position. Their engineered diaphragm avoids product entrapment in asymptotic area, moreover it is placed flush to the inlet connection with a zero dead leg. The internal design of the body grants a complete drainability. It also offers a wide range of optional and fully customizable according to project requirements.



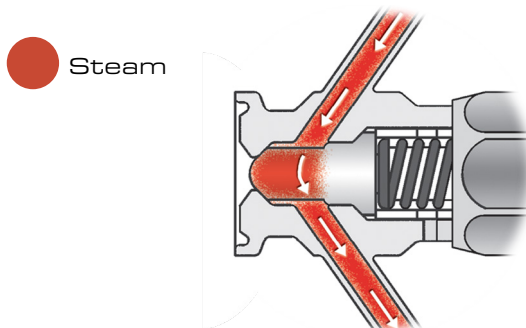
## ADVANTAGES:

- ✓ Sterilizable in line
- ✓ Fully draining
- ✓ Hygienic internal surface design
- ✓ No product entrapment
- ✓ Minimized diaphragm's stress, more reliability and lifespan
- ✓ Certified materials for Pharmaceutical use
- ✓ Full traceability

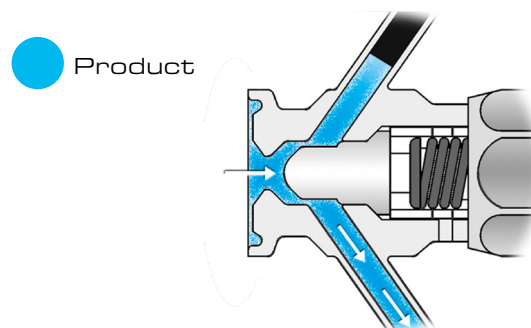
## APPLICATION:

Aseptic sampling valves suitable for installation on the tanks or process lines of Pharmaceutical, Food & Beverage, Cosmetics, Dairy and Fine Chemicals plants. These valves are the ideal solution to take a true representative sample of sterile liquids.

<b>Size range</b>	1/2" - 3/4" - 1" - 1 1/2" - 2" - 2 1/2" - 3" - 4"
<b>Stainless steel in contact parts Material</b>	AISI 316L - 1.4404
<b>Diaphragm Material</b>	Modified PTFE Silicone
<b>Internal surface finish</b>	Ra ≤ 0.5µm
<b>Working pressure rating</b>	Vacuum + 10 barg
<b>Max working temperature</b>	150°C
<b>Certifications</b>	3.1 material certificates (in contact) according to UNI EN 10204 FDA USP Class VI ATEX other certificates on request



**Steam sterilisation**  
Valve closed (CIP/steril. phase)



**Sampling**  
Valve open (sampling phase)

## CONFIGURATOR



## DATASHEETS



Last updates can be found on our website - [www.aerreinox.it](http://www.aerreinox.it)  
In the interests of development of the product, we reserve the right to change the specifications without prior notice





## PROCESS CONNECTION



1/2" Clamp ASME BPE/BS 4825

Butt Weld Ø19.05mm

1/4" Male Gas Thread - ISO228/1

For Ingold Ø25mm lenght 30mm

3/4" Clamp ASME BPE/BS 4825

3/8" Male Gas Thread - ISO228/1

1" Clamp ASME BPE/BS 4825

1/2" Male Gas Thread - ISO228/1

1 1/2" Clamp ASME BPE/BS 4825

2" Clamp ASME BPE/BS 4825

2 1/2" Clamp ASME BPE/BS 4825

3" Clamp ASME BPE/BS 4825

4" Clamp ASME BPE/BS 4825

## SAMPLING OUTLET CONNECTION



1/2" Clamp ASME BPE/BS 4825

Hose Barb Ø6.35 x 1.24mm

Butt Weld Ø6.35x1.24mm

Quick Connection O3

## CIP/SIP CONNECTION



1/2" Clamp ASME BPE/BS 4825

Hose Barb Ø6.35 x 1.24mm

Butt Weld Ø6.35x1.24mm



Quick Connection O3



No connection

### CONFIGURATOR



### DATASHEETS



Last updates can be found on our website - [www.aerreinox.it](http://www.aerreinox.it)  
 In the interests of development of the product, we reserve the right to change the specifications without prior notice



## DIAPHRAGMS



Silicone

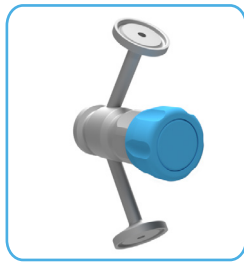


Modified PTFE

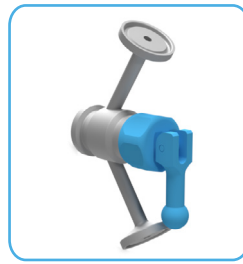


Modified PTFE for Ingold valve

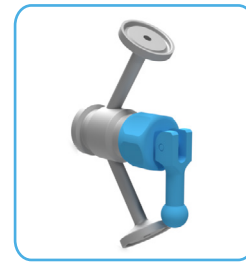
## ACTUATION



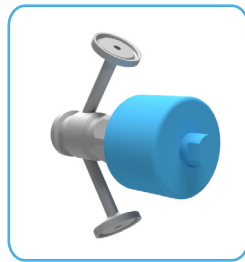
Manual thermoplastic  
(autoclavable)



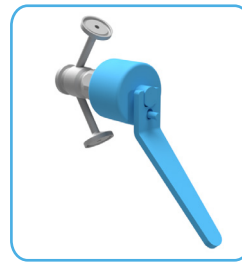
Manual with lever ON/OFF  
(autoclavable)



Manual lever with spring return  
(autoclavable)


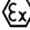


Pneumatic simple effect n.c.



Pneumatic simple effect n.c. +  
manual lever

## OPTIONAL

- Inductive sensor for pneumatic actuator
- Electropolishing
- Other Materials
- Other types of connections
- VPZ directly welded on pipe with zero dead leg
- Customizable on request
- ATEX certification   II 2G Ex h IIB T6...T3 Gb  
II 2D Ex h IIIC T85°C...T155°C Db

For further details about codes and download of the drawings, visit our **CONFIGURATOR**

### CONFIGURATOR



Last updates can be found on our website - [www.aerreinox.it](http://www.aerreinox.it)  
In the interests of development of the product, we reserve the right to change the specifications without prior notice

### DATASHEETS

